

Double Clamshell Gates and Tunnel Gates

Standard and Custom Sizes Available

MERTS, LLC has been providing gates to the concrete and mining industries since 1950. Our gates are built using mild steel and suitable for standard to heavy duty applications.

We offer a variety of gate sizes ranging from 12" x 12" to 48" x 48".

Standard bolt hole patterns; punched or blank.

Clamshell gates are made with zerk grease fittings in the hinge pins for better wear and tear.

Gates are shipped primed only. They can be painted at your request.



DOUBLE CLAMSHELL GATE				TUNNEL GATE	
		A	B		
12"	10"				A=16"
14"	13½"				B=17" closed
16"	13½"				B=24" opened

GATE SIZE	FLANGE				Standard Flanges for above gates
	A	B	C	D	
12" x 12"	18"	7½"	18"	7½"	
14" x 14"	20"	8½"	20"	8½"	
16" x 16"	22"	9½"	22"	9½"	

Call us to design and manufacture your batch plant, agg bins, silos, conveyors or to order parts.



We listen...
We learn...
We lead!

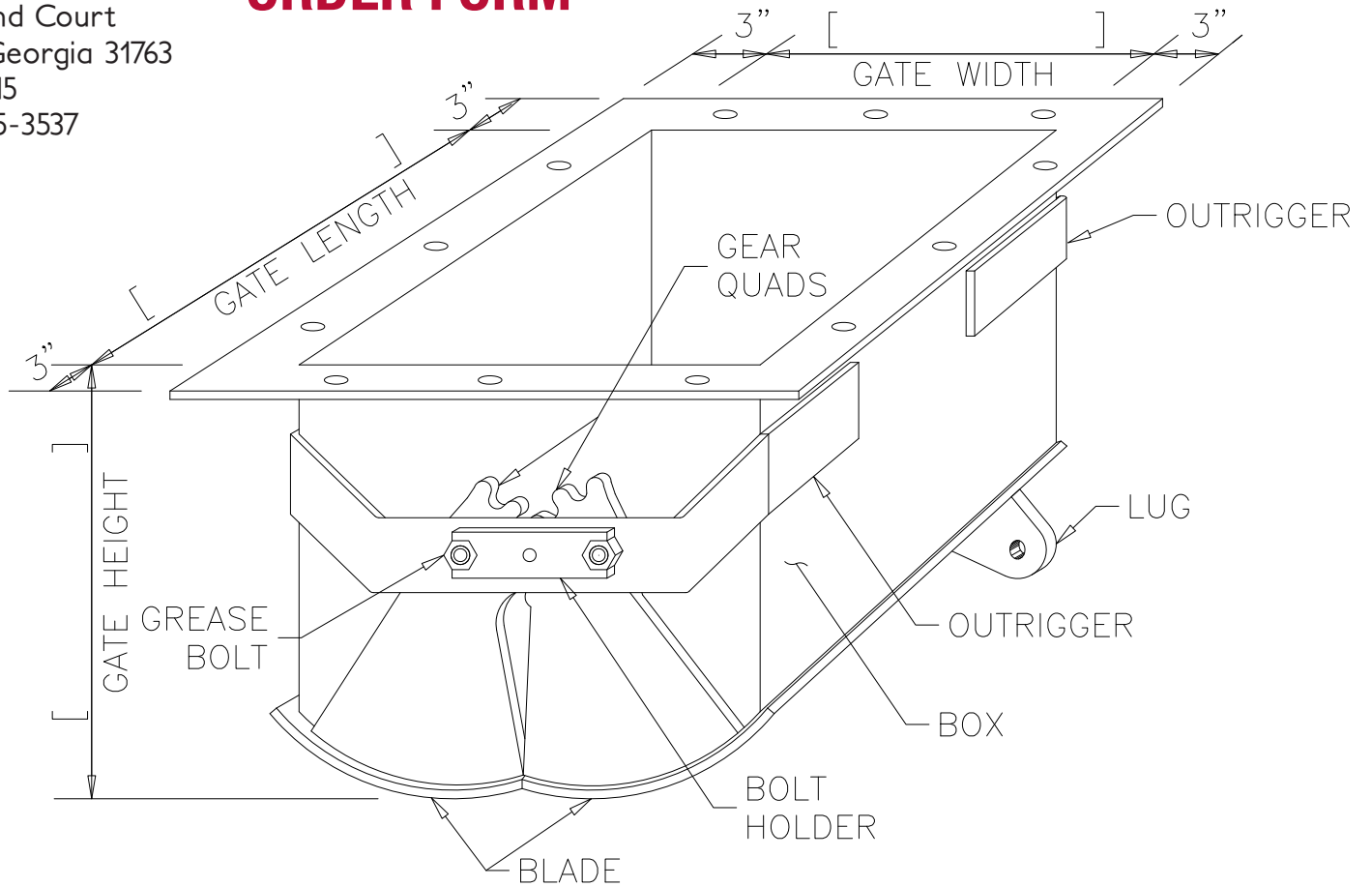
500 Oakland Court ■ Leesburg, Georgia 31763
229-435-3315 ■ fax: 229-435-3537

Customized Fabricating & Manufacturing Services
www.merts.com



DOUBLE ACTING CLAMSHELL GATE ORDER FORM

500 Oakland Court
Leesburg, Georgia 31763
229-435-3315
fax: 229-435-3537



ORDER NO. _____ DATE: _____ TERMS: _____

BILL TO: _____ SHIP TO: _____

SHIP VIA _____

QUANTITY	PART NO.	DESCRIPTION	UNIT PRICE	EXTENSION

ESTIMATED SHIPPING DATE: _____ TOTAL: _____